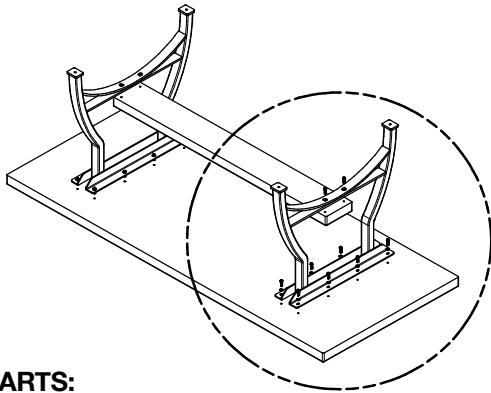




ASSEMBLY INSTRUCTIONS FOR FOUNDRY COLLECTION TABLES

080119

3601 S. Banker St. Effingham, IL 62401 • P.O. BOX 609 • Ph: (888) 431-2667 • Fax: (800) 433-2667



PARTS:

- (1) TABLE TOP
- (1) STRINGER
- (2) TABLE LEGS

HARDWARE (PER LEG):

- (10) 1/4" X 1-1/4" HEX HEAD WOOD SCREWS
- (8) 1/4" WASHERS

TOOLS REQUIRED:

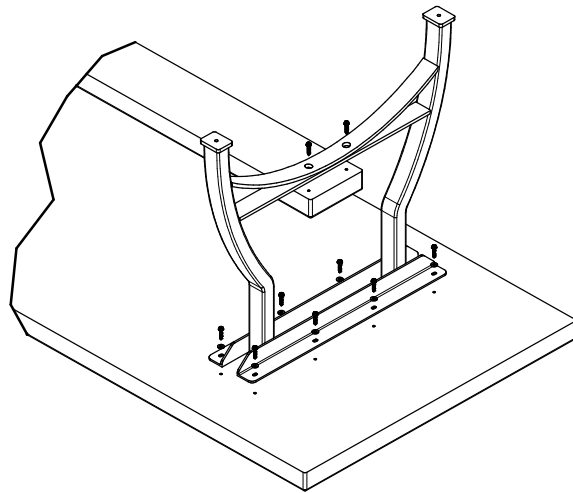
- 3/8" SOCKET

CAUTION:

MAKE CERTAIN ASSISTANCE IS AVAILABLE WHEN SETTING TABLE UPRIGHT TO AVOID INJURY TO YOURSELF OR THE TABLE.

INSTRUCTIONS:

- ALLOW AMPLE ROOM FOR ASSEMBLY IN CLOSE PROXIMITY TO WHERE PRODUCT WILL BE PLACED
 - CHECK ALL OF THE PARTS AND QUANTITIES ARE INCLUDED BEFORE ASSEMBLY. CONTACT CUSTOMER SERVICE FOR MISSING PARTS.
 - IDENTIFY ALL OF THE PARTS, HARDWARE, AND QUANTITIES REQUIRED FOR EACH STEP
 - DO NOT USE POWER TOOLS TO ASSEMBLE THIS PRODUCT, DO NOT OVER-TIGHTEN ANY FITTINGS.
1. REMOVE ALL PACKAGING MATERIAL FROM THE CARTON.
 2. REFER TO PARTS LIST AND HARDWARE LIST AND ENSURE THEY ARE COMPLETE BEFORE YOU START ASSEMBLING.
 3. PLACE WOOD TOP TABLE FACE DOWN ON A CLEAN, SOFT FLAT SURFACE (CARPET/RUG) TO PREVENT WOOD TABLE TOP FROM GETTING SCRATCHED.
 4. WITH THE TABLE LAYING ON ITS TOP, ALIGN HOLES IN TABLE LEG WITH PREDRILLED HOLES IN WOOD TABLE TOP.
 5. SECURE THE LEGS TO THE WOOD TOP USING (8) 1/4" X 1-1/4" HEX HEAD WOOD SCREWS, (8) 1/4" WASHERS, AND A 3/8" SOCKET
 6. ONCE BOTH LEGS ARE SECURED TO THE TOP, FLIP THE PARTIALLY ASSEMBLED TABLE OVER AND STAND IT UPRIGHT
 7. ALIGN HOLES IN STRINGER WITH HOLES IN THE BASE AND SECURE USING (2) 1/4" X 1-1/4" HEX HEAD WOOD SCREWS WITH A 3/8" SOCKET



sales@johnboos.com

www.johnboos.com